

In-Tank Emergency Shut-Off Valves (TESO)

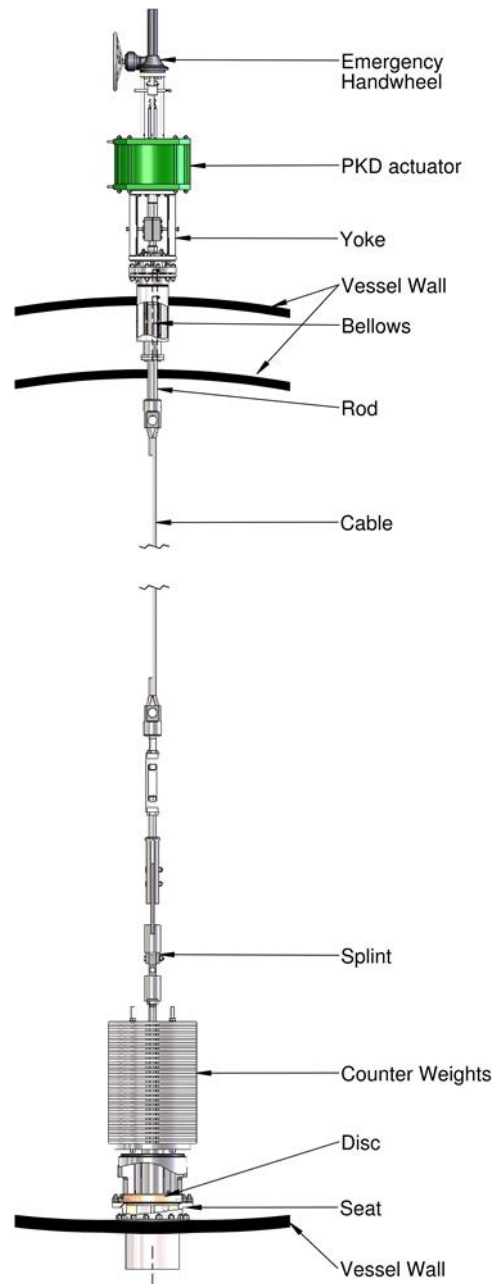


SchuFI 

Model 73BH – In Tank disc valve

- as required by API 625

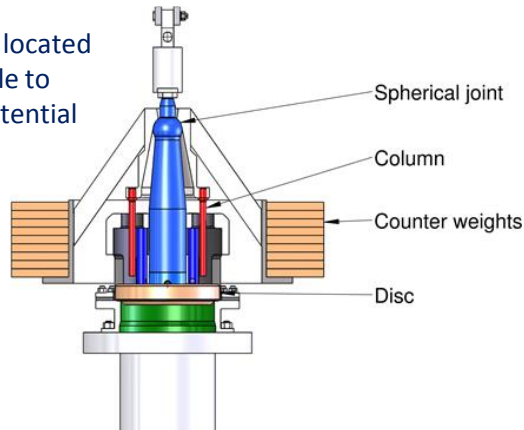
- The disc safety valve is positioned inside at the bottom of the tank (generally “Cigar” Tank)
- A long segmented connection runs from the pneumatic actuator, positioned on the roof of the tank, to the disc valve located at the bottom
- The actuator keeps the valve in an open position, if the actuator fails a special weight or spring moves the disc downwards and closes the valve
- Fire safe design available
- Disc side mounted design available. See following page.
- **Fulfills API 625 Standard** - adequate for “Tank System for Refrigerated Liquefied Gas Storage”



Special patented “Earthquake” design

In case of an earthquake the spherical joint (pendulum pivot) allows the counterweights to swing freely reducing the effects on the valve and the tank.

The weights are located as low as possible to minimize the potential energy and consequently the forces.



“Cigar” Tank

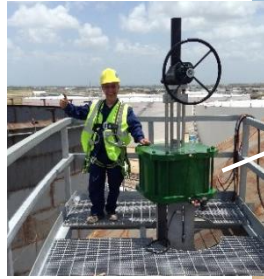


73BH installed on a “Cigar” Tank

Model 73ID – In-Tank plug valve

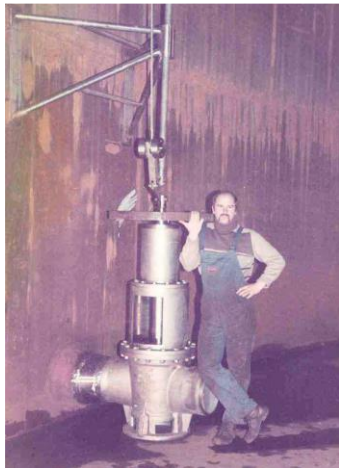
- As required by API 625

- The lift plug safety valve is positioned inside at the bottom of the tank (generally Cylinder Tank)
- A long segmented connection runs from the pneumatic actuator, positioned on the roof of the tank, to the plug valve located at the bottom
- The actuator keeps the valve in an open position, if the actuator fails a special weight or spring moves the plug downwards and closes the valve
- Fire safe design available
- **Fulfills API 625 Standard** – adequate for “Tank System for Refrigerated Liquefied Gas Storage”



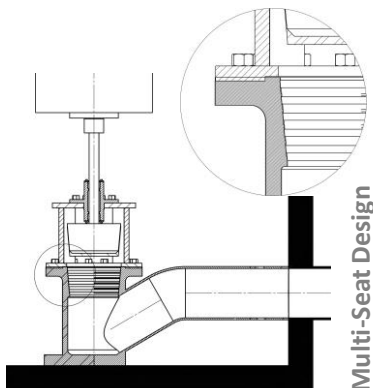
Cylinder Tank

Examples of different construction for lateral tank connection:

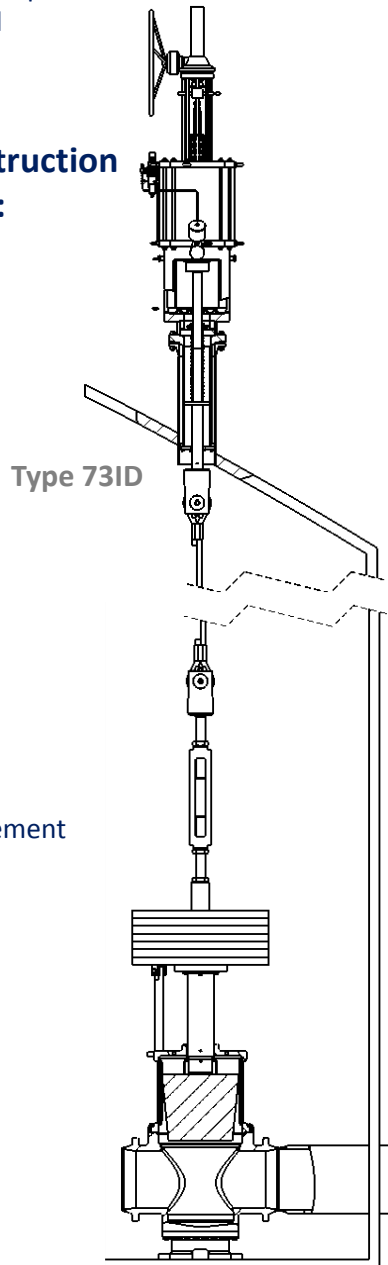


Multi Seat Design

- Multi-sealing surfaces arrangement
- Improved sealing resistance



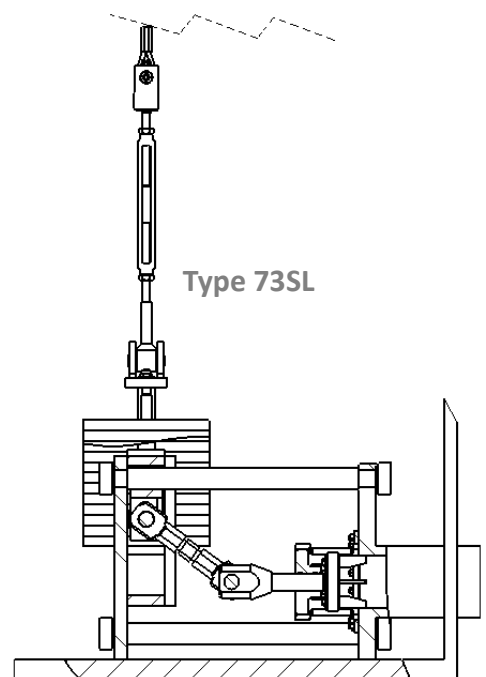
Multi-Seat Design



In Tank disc 73SL

Side mounted Patented design

- For standard conditions reduced weight required to close the valve, and therefore less load on tank roof
- Applicable for high back pressure cases
- Available with swinging weights to meet Earthquake requirements
- Fulfills API 625 Standard

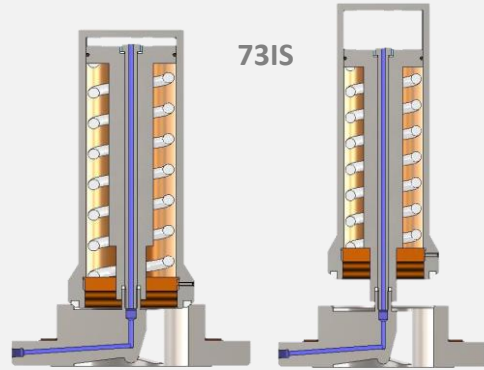


Tank Bottom Outlet Valves

Model 73IS – In tank shut-off valve with bolt on flange and in-lying spring

- The valve is held open by hydraulic or pneumatic pressure and closed by the in-lying spring
- The valve actuator combines with the disc
- For the hydraulically operated valve a pump is generally supplied with the valve
- Wetted parts are hard chrome plated or applied with Titanium Nitride
- The valve is available with fixed dimensions at short deliveries using our standard low temperature material (ASTM A352 LCC/LCB) or according to the customers specification
- Fire safe design available

Mode of operation

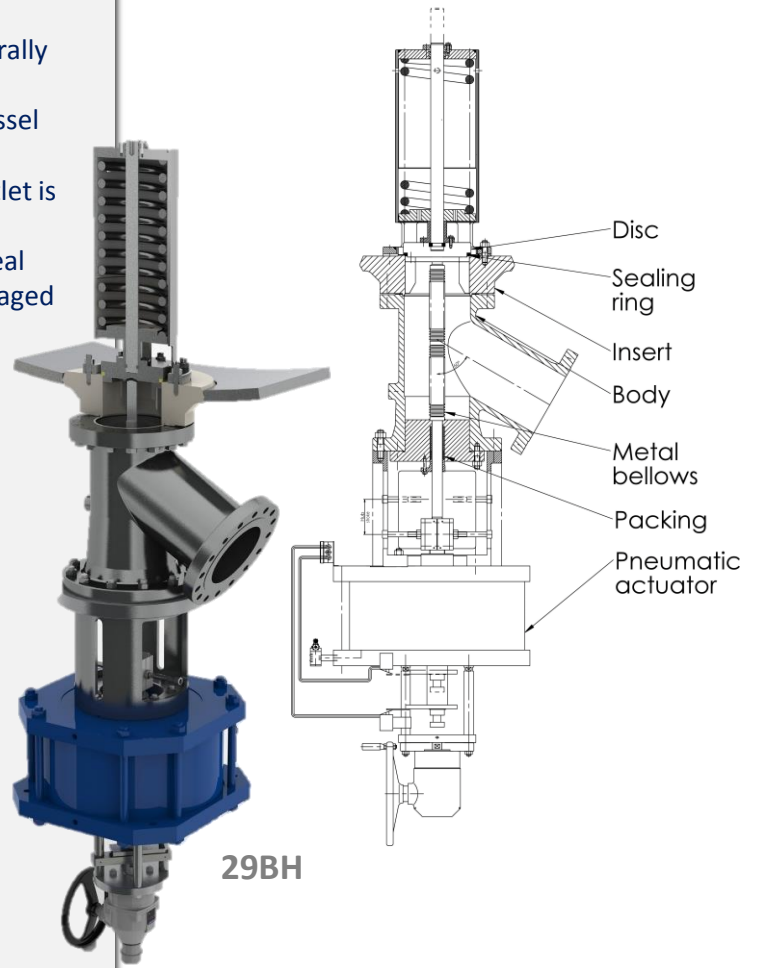


Model 29BH – Tank bottom outlet valve with in-lying spring

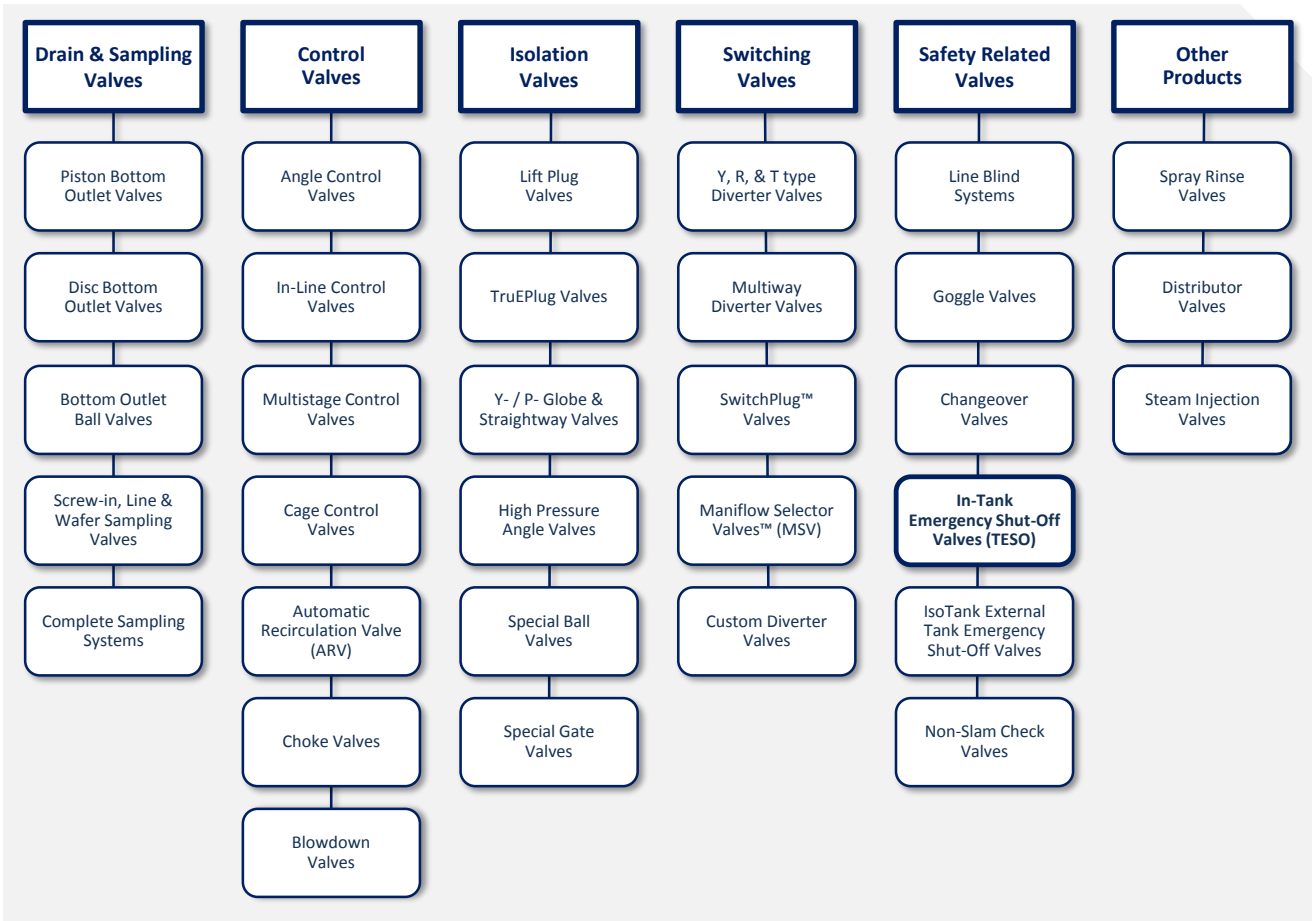
- Valve seat welded into vessel bottom (generally Spherical Tank)
- In emergency cases the spring inside the vessel closes the valve
- The valve disc that is flush with the tank outlet is detachable from the valve spindle which is outside the tank wall. This ensures a tight seal even if the outer parts of the valve are damaged
- Optionally with an extended pad seat
- Fire safe design available



Spherical Tank



Product Portfolio Overview



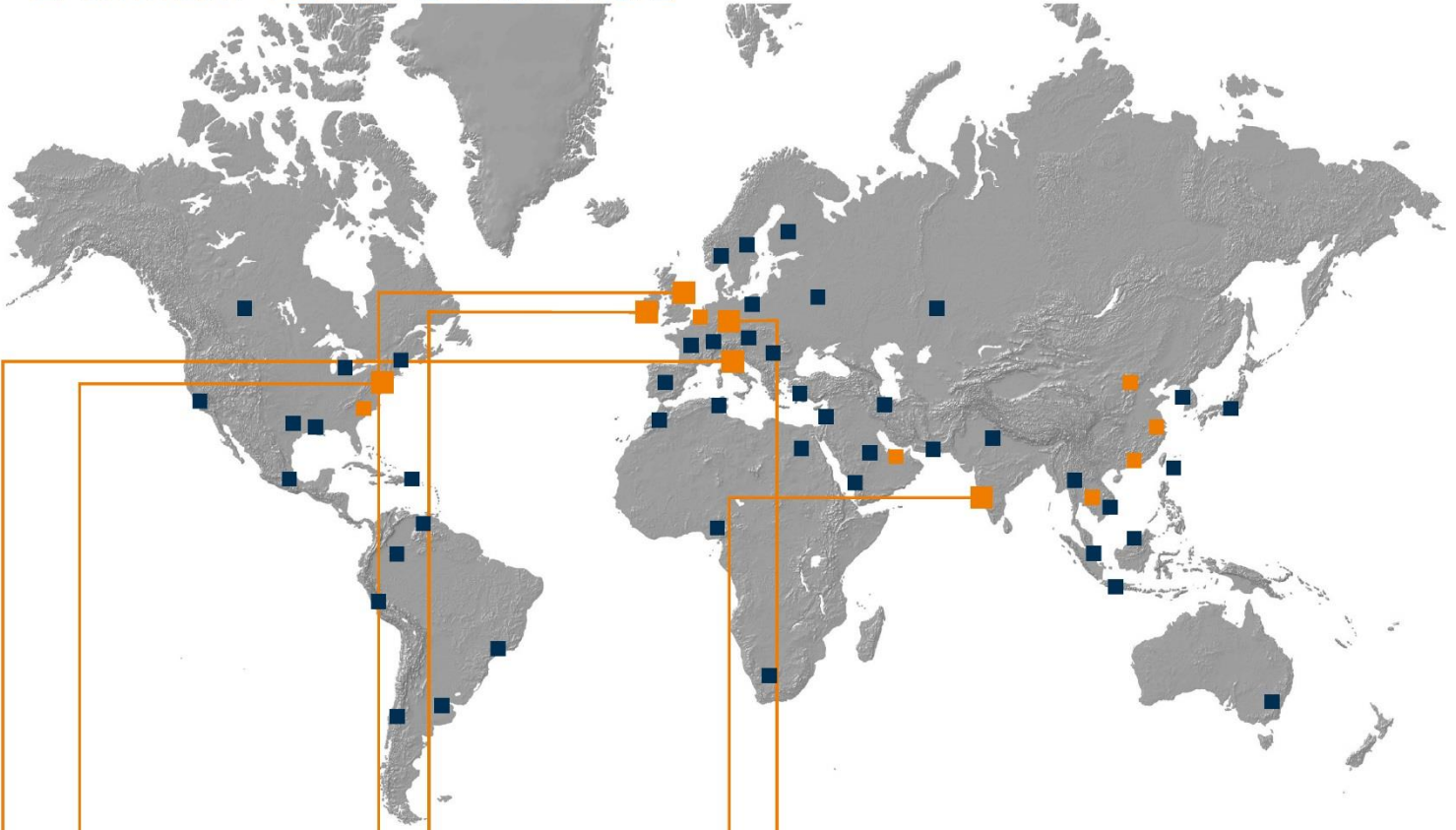
TESO Client List

- Aluminium Pechiney
- Auriga Polymers
- BASF
- CEPSA
- Chang Chun Petrochemical
- China Textile
- CTCI Corp.
- Formosa Chemicals & Fibre
- Far Eastern New Century
- Hengli Petrochemical
- Hebi Huashi United Energy
- Ignite Energy Resources
- Jiangsu Hailun Petrochemical
- KBR Technology
- Lenzing
- Lurgi
- Nanjing Chemical
- OPTC
- Reliance Industries
- Renmatix
- SABIC Innovative Plastics
- Samsung Petrochemical
- Sichuan



SCHUF IN-TANK VALVES - 100 YEARS OF INNOVATION

SchuF Worldwide



www.schuf.com

www.schuf.de

USA



Fetterolf Corporation
phone: +1 610 584-1500
info@fetterolfvalves.com

SchuF (USA) Inc.
phone: +1 843 8813345
sales@schuf.us

IRELAND



SchuF Valve Technology GmbH
phone: +353 21 4837000
sales@schuf.ie

GERMANY



SchuF-Armaturen und Apparatebau GmbH
phone: +49 6198 571 100
sales@schuf.com

Your Sales Channel:

SchuF Benelux B.V.
phone +31 25 12 34 448
lmulder@schuf.com

SchuF Middle East F.Z.C.
phone: 971 56 424 2190
mmulder@schuf.com

SchuF South East Asia Pte. Ltd.
phone +353 877774860
ecalnan@schuf.ie

SchuF Valves China Ltd.
phone +85 22 86 50 861
pchoi@schuf.com

ITALY



La Tecnovalvo S.r.l.
phone: +39 023503508
info@latecnovalvo.com

UNITED KINGDOM



SchuF (UK) Ltd.
phone: +44 203 355 2012
sales@schuf.ie

INDIA



SchuF Speciality Valves India Pvt. Ltd.
phone: +91 421 2264600
sales@schuf-india.com

Your Local Agent: